

SecFlow-1c-4G

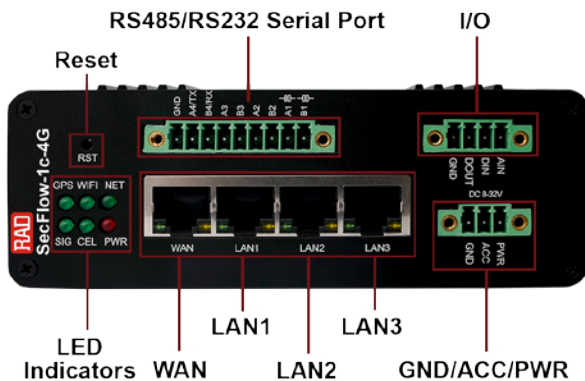
Industrial LTE Cellular Router



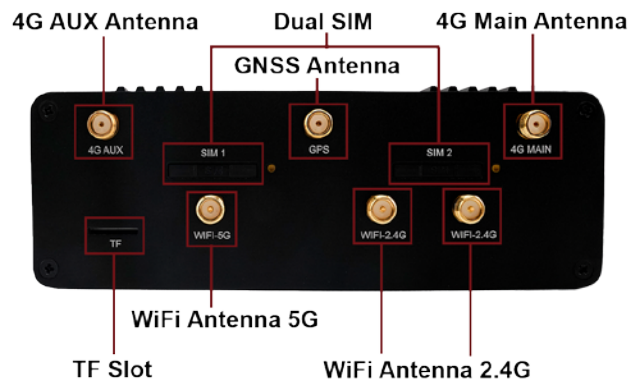
- Industrial Design, DIN Rail Mounting Supported
- 4G LTE Cat 4
- Reliable Connectivity with Dual SIM
- IEEE 802.11 b/g/n/ac, 2.4/5 GHz
- VPN Secure Connection
- 4 Ethernet Interfaces (1 WAN, 3 LAN)
- RS-232 and RS-485 Serial Ports
- 3 GPIO ports
- GNSS Location
- Smart field upgrade with TF card
- External storage

SecFlow-1c-4G is an industrial LTE cellular router designed to meet rugged specifications, DIN rail mounting, and improved cellular connectivity (up to 150 Mbps). The product empowers industrial automation, smart city, and other data-intensive IoT applications in the transportation and retail sectors.

Front View



Rear View



Front and Rear Panels



SecFlow-1c-4G

Industrial LTE Cellular Router

Specifications

HARDWARE

Ethernet Ports	1 x LAN/WAN (10/100Mbps), 3 x LAN (10/100Mbps)
Mobile	4G LTE CAT 4, 3G, 2G
Wi-Fi	IEEE 802.11 b/g/n/ac, 2.4/5 GHz
Serial Ports	1 x RS-232 3 x RS-485
TF Slot	1
WiFi Antennas	3 x RP-SMA
GNSS Antenna	1 x SMA
GPIO	3 x GPIO – DI, DO, AI
LED indicators	Power, Network Connection, Wi-Fi, GNSS, Mobile Status and Signal Strength, WAN
Reset Button	1

CELLULAR AND GPS

SIM Slots	2
SIM Switch	2 SIM cards, auto-switch cases: weak signal, data limit, data connection fail
Mobile Antennas	2 x SMA
Protocols	Cellular IP Context. PPP, PAP, CHAP, APN per SIM
GPS	GPS, GLONASS, BeiDou, Galileo, NMEA forwarding (if GPS is hardware-supported)
LTE Global Modem Bands	LTE FDD: B1/B2/B3/B4/B5/B7/B8/B12/B13/B18/B19/B20/B25/B26/B28 LTE TDD: B38/B39/B40/B41 UMTS: B1/B2/B4/B5/B6/B8/B19 GSM: B2/B3/B5/B8
LTE Data Speed	LTE LTE-FDD: Max 150Mbps (DL)/Max 50Mbps (UL) LTE-TDD: Max 130Mbps (DL)/Max 30Mbps (UL) UMTS DC-HSDPA: Max 42Mbps (DL) HSUPA: Max 5.76Mbps (UL) WCDMA: Max 384Kbps (DL)/Max 384Kbps (UL) GPRS Max 107Kbps (DL)/Max 85.6Kbps (UL) EDGE Max 296Kbps (DL)/Max 236.8Kbps (UL)

WI-FI

Mode	Access Point, Client
Radio Mode	IEEE 802.11 b/g/n/ac, 2.4/5 GHz
Wi-Fi Data Speed	Up to 433Mbps for 802.11ac 80 MHz channel data rates

MANAGEMENT

Access Control	Flexible access control of SSH, Web interface, CLI, RADIUS Management access control. Possible to block access from local ports, or to block specific protocols (Web, SSH, etc.)
Protocols and Security	SSH (v1, v2), TLS 1.2, 1.3 SSH From LAN, WAN (ETH/Cellular) HTTPS From LAN, WAN (ETH/Cellular) SNMP (v1, v2, v3), SNMP Traps, access rights SYSLOG
WEB UI	Status, configuration, SW update, CLI, troubleshooting, availability notifications, event log, system log, kernel log, Internet status, configuration backup, FOTA
Serial Functions	Console, Serial over IP, Modem, MODBUS gateway
MQTT	MQTT Broker, MQTT publisher
Modbus MQTT GW	Allows sending commands and receiving data from MODBUS server through MQTT broker
Modbus	Modbus RTU Modbus TCP to RTU Modbus TCP
SMS	SMS based device emergency actions Reboot, switch SIM card, get status, restore factory setting
Programmable Reboot	Every day/week, or cellular interface restart
Continuous ICMP Ping	Every X seconds to central IP
Configuration Management	Config download/upload using HTTPS or using CLI (sFTP)
Firmware Management	Firmware upload using HTTPS or using CLI (sFTP)
Statistics	Ports & CPU statistics available via CLI/Web/SNMP

RESILIENCY

Network Backup	Automatic failover between Mobile, Wi-Fi WAN and wired links
Load Balancing	Auto load balance over Mobile, Wired or WiFi links

SecFlow-1c-4G

Industrial LTE Cellular Router

NETWORKING CAPABILITIES

Network Protocols	NTP (Server, GPS synchronization) DNS, DDNS: DNS Client, Bind dynamic IP to static hostname
DHCP	Server, Client, Static and dynamic IP allocation
VPN	PPTP, L2TP, IPsec, GRE, OpenVPN
VLAN	802.1q
Firewall	L2/L3/L4 ACL Web Filter IP/Domain Filter Blacklist, Whitelist NAT/SNAT/DNAT MAC Filter DDOS Prevention
Routing	Static Routing Dynamic routing (RIP)

DIAGNOSTICS

Features	Tcpdump Ping Tracert
IP Monitoring	Ping Reboot LCP and ICMP for link inspection Timing Task
DI /DO /AI	Status, report, switch

GENERAL

Environment

Casing Material	Aluminum housing
Operating Temperature	-30°C - +75°C
Storage Temperature	-40°C - +85°C

International Headquarters

24 Raoul Wallenberg St., Tel Aviv 6971920, Israel
Tel/Fax 972-52-4748272 | Fax 972-3-6498250
Email market@rad.com

Physical

Height	45 mm
Width	130 mm
Depth	100 mm
Weight	494g

Power

Power Socket	PWR, ACC detection, GND
Input/Output	4 Pins, GND, DI, DO, AI
Operating Voltage	8 – 32 VDC
Power Consumption	In idle mode: 1.88W Maximum: 5.44W

Ordering

SF-1C-Q1/LT/GL

SecFlow-1c-4G, global region LTE bands

OPTIONAL ACCESSORIES

SF-1C-AC-12VDC-24W-2A

External AC to 12 VDC 24W 2A power supply

North American Headquarters

900 Corporate Drive, Mahwah, NJ 07430, USA
Tel 201-529-1100 | Toll Free: 800-444-7234 | Fax: 201-529-5777
Email market@radusa.com



Your Network's Edge®

www.rad.com

787-101-05/26 (1.0) Specifications are subject to change without prior notice. © 2025–2026 RAD Data Communications Ltd. RAD products/technologies are protected by registered patents. To review specifically which product is covered by which patent, please see i.pr.rad.com. The RAD name, logo, logotype, and the product names MINID, Optimux, Airmux, IPmux, and MiCLK are registered trademarks of RAD Data Communications Ltd. All other trademarks are the property of their respective holders.