

# SFP-VDSL

## VDSL2 SFP for RAD Platforms



- Small-Form-Factor to be plugged into SFP ports of RAD Ethernet switches/routers
- Extends the 100 m (328 ft) distance limit for Ethernet connectivity via copper wire up to 3 km (9842 ft)
- Supports VDSL2, ADSL2/2+ functionality
- Complies with G.993.2 (VDSL2) standards (supporting AVD2 CPE mode only) and ITU-T G.992.3 (ADSL2), G.992.5 (ADSL2+)
- Supported ATM mode with fixed PVC #6

### MARKET SEGMENTS AND APPLICATIONS

This product is designed for Telco xDSL CPE applications. By taking the advantage of the existing SFP interface on an Ethernet switch/router, the xDSL SFP module converts the switch into an xDSL CPE.

## Specifications

### HOST INTERFACE

Type	1.25 Gbps SFP TX SerDes. Both the host and SFP SerDes should be configured at 1000BASE-X
------	--

### VDSL INTERFACE

Range	up to 3 km
Line	RJ-45
Connector	
Data Rate	100 Mbps

Compliance	VDSL2, ADSL2/2+ fully compliant to ITU-T G.993.2 Amd.1-7, G.993.5, G.994.1, G.997.1 (VDSL2), G.992.3 (ADSL2) and G.992.5 (ADSL2+)
------------	---

VDSL2 Profiles	8a/b/c/d, 12a/b, 17a 30a (without ADSL fallback)
----------------	---

### GENERAL

#### Indicators

LED	Color	State	Description
CO/CPE	Orange	On	Power is On
		Off	Power is Off
xDSL	Green	Slow Blinking	Idle
		Extremely Rapid Blinking	Training
		Light On Still	Showtime
		Extremely Rapid Blinking	Packet Transmit

#### Physical

Hot-pluggable to standard SFP cage

Height	10.5 mm (0.41 in)
Width	13.8 mm (0.54 in)
Depth	75.0 mm (2.95 in)

#### Environment

Operating Temperature	-40 to 85°C (-40 to 185°F)
Humidity	Up to 90%, non-condensing

#### Power

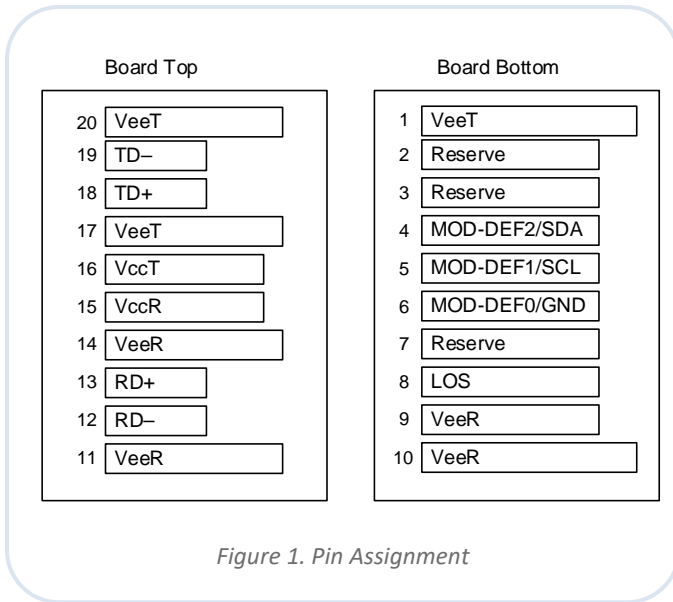
Power Supply	3.3V
Power	17A – up to 2.3W
Consumption	30A – up to 2.4W



# SFP-VDSL

## VDSL2 SFP for RAD Platforms

### Pin Assignment



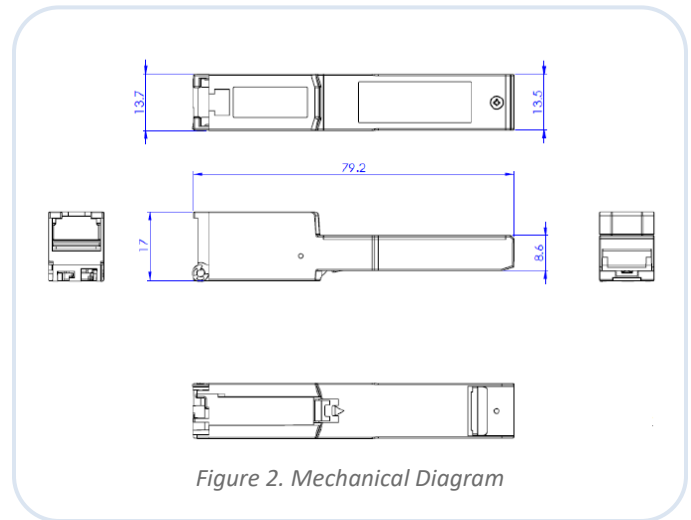
### Ordering

This SFP is offered on condition of minimum ordering quantity. Please contact RAD Sales for more information.

### RECOMMENDED CONFIGURATIONS

#### SFP-VDSL-2W-PVC6

VDSL2 SFP with fallback to ADSL (PVC6 fixed profile)



#### International Headquarters

24 Raoul Wallenberg St., Tel Aviv 6971923, Israel  
 Tel 972-3-6458181 | Fax 972-3-7604732  
 Email [market@rad.com](mailto:market@rad.com)

#### North American Headquarters

900 Corporate Drive, Mahwah, NJ 07430, USA  
 Tel 201-529-1100 | Toll Free: 800-444-7234 | Fax: 201-529-5777  
 Email [market@radusa.com](mailto:market@radusa.com)



Your Network's Edge®

[www.rad.com](http://www.rad.com)

128-100-04/20 (1.0) Specifications are subject to change without prior notice. © 2018–2020 RAD Data Communications Ltd. RAD products/technologies are protected by registered patents. To review specifically which product is covered by which patent, please see [ipr.rad.com](http://ipr.rad.com). The RAD name, logo, logotype, and the product names MINID, Optimux, Airmux, IPmux, and MICKL are registered trademarks of RAD Data Communications Ltd. All other trademarks are the property of their respective holders.