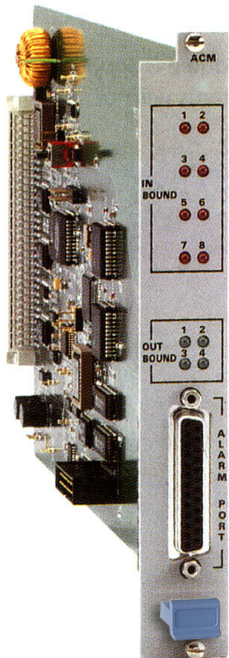


Megaplex-4100/2100/2104

ACM

Alarm and Diagnostics Module



Four outbound relays
and eight inbound
sensors

- Eight inbound relays provide notification of external events via the management system
- Four outbound relays are triggered by any user-selected Megaplex alarm
- Outbound relays route Megaplex alarms to external indicators such as buzzers and bells

The ACM alarm and diagnostics module for Megaplex-2100/2104 and Megaplex-4100 chassis features four outbound relays and eight inbound sensors.

The module is supported by all the versions of Megaplex-2100/2104 and by Megaplex-4100 starting from version 3.0.

The eight inbound ports with sensors enable reporting of alarms outside the Megaplex unit, as well as environmental conditions at remote locations, to a central management station. These inbound ports can be connected to relay contacts, environmental sensors, and other input devices.

The ACM module is user-configured to translate the state of each input into an event and report it to the Megaplex CL module. For each event the CL module sends the corresponding alarm message or SNMP trap to the supervision terminal or network management station. Each event can be associated with a user-selected message of up to 35 characters that describes the situation or prompts the remote user to perform a prescribed action (see *Figure 1*).

ACM also provides four outbound ports equipped with relay contacts. The relays enable the reporting of internal system alarms to external indicators, such as lights, buzzers, and bells. Alternately, the relays can be used to control external devices and applications, such as fans and dialers (see *Figure 1*).

In addition, the ACM module can provide +12 or -12 VDC for powering low-consumption external indicators/devices that are connected to it, thus eliminating the need for an external power supply.

Configuration and all commands are performed via the Megaplex management system. This includes controlling single error injections as well as clearing the error counter and the sync loss period.



ACM

Alarm and Diagnostics Module

Specifications

Number of Ports

Inbound: 8
Outbound: 4

Maximum Input Voltage

±30 VDC

Outbound Relay Characteristics

Maximum voltage across open contacts:
24 VDC
Maximum current through closed contacts:
1.25A

General Purpose Output Voltage

+12 VDC (±5%) and -12 VDC (±5%), limited
by 300Ω series resistors

Connector

Single female DB25 connector
(supports all outbound ports, inbound
ports, and +/-12 VDC supply output)

Indicators

8 Inbound LEDs (red) to indicate activation
of inbound event received by that port
(user-set to indicate low/high activity)
4 Outbound LEDs (green) to indicate alarm
being routed to that port

Environment

Operating temperature: -10°C to 55°C
(14°F to 131°F)
Storage temperature: -20°C to 70°C
(-4°F to 158°F)
Humidity: up to 95%, non-condensing

Configuration

Programmable via Megaplex management
system

Ordering

MP-2100M-ACM

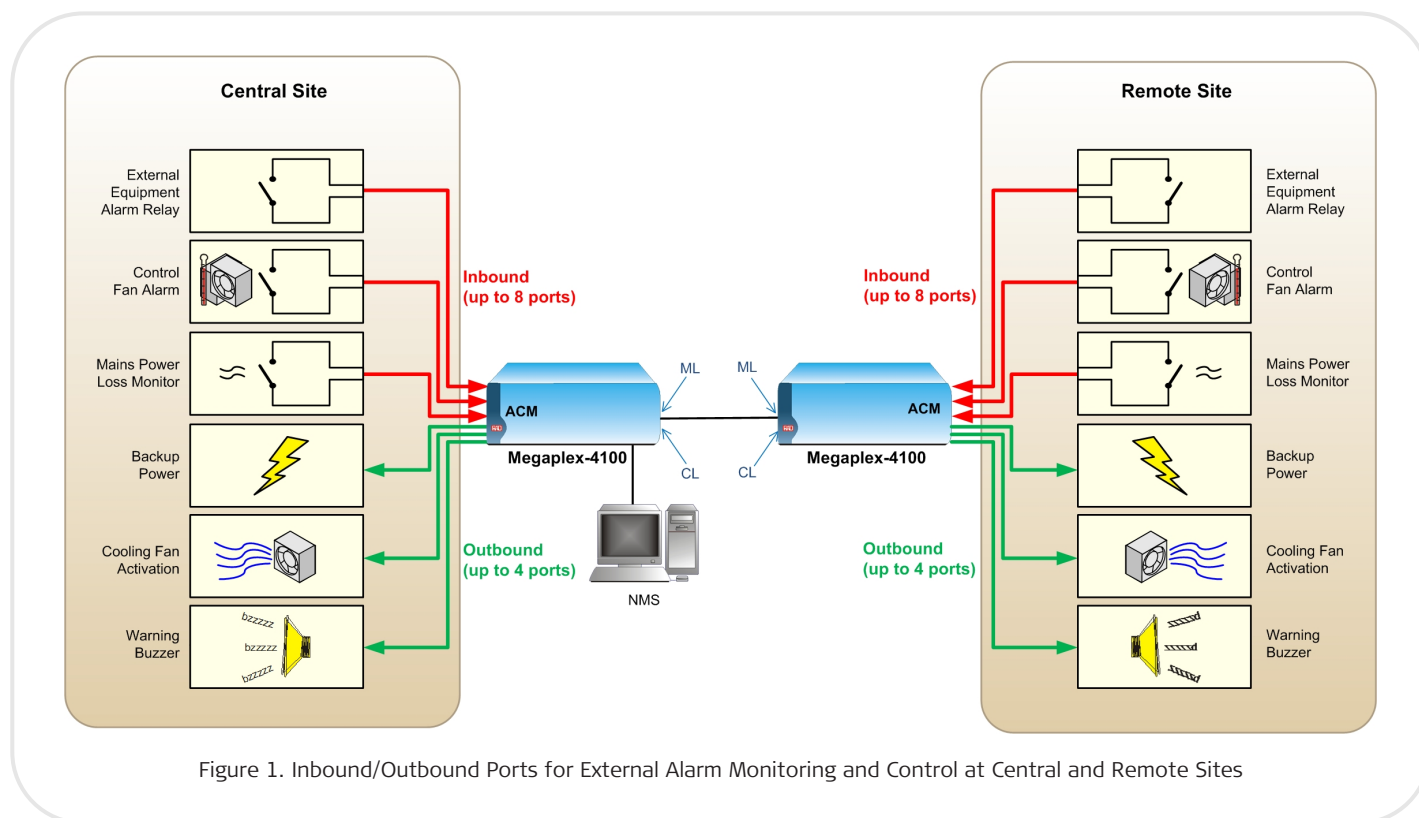


Figure 1. Inbound/Outbound Ports for External Alarm Monitoring and Control at Central and Remote Sites

International Headquarters
24 Raoul Wallenberg Street
Tel Aviv 69719, Israel
Tel. 972-3-6458181
Fax 972-3-6498250, 6474436
E-mail market@rad.com

North America Headquarters
900 Corporate Drive
Mahwah, NJ 07430, USA
Tel. 201-5291100
Toll free 1-800-4447234
Fax 201-5295777
E-mail market@radusa.com

www.rad.com

Order this publication by Catalog No. 803252



data communications
The Access Company

764-120-09/11 Specifications are subject to change without prior notice. © 1988-2011 RAD Data Communications Ltd. The RAD name, logo, logo type, and the terms EtherAccess, TDMoIP and TDMoIP Driven, and the product names Optimux and Ipnux, are registered trademarks of RAD Data Communications Ltd. All other trademarks are the property of their respective holders.