

Megaplex-4

M8E1, M8T1

8-Port E1 and T1 Modules



- Up to 8 E1 or T1 interfaces with built-in LTU (E1) or CSU (T1)
- Up to 3 10/100BaseT Ethernet ports, copper or fiber
- E1 interface compliant with ITU-T Rec. G.703, G.704 and G.732
- T1 interface compatible with ANSI requirements
- Multiple clock source selection
- IEEE-1613 compliant options

The M8E1/M8T1 modules connect Megaplex-4 to up to 8 E1 or T1 lines. Up to 10 modules can be installed in a single chassis, providing Megaplex-4 with up to 80 E1/T1 ports.

In addition to providing E1/T1 interfaces for Megaplex-4 units, M8E1, M8T1 modules provide packet-based Fast Ethernet services.

The M8E1/M8T1 modules have two types of external ports:

- Eight independently configurable E1/T1 external ports for E1/T1 services
- Three 10/100 Mbps Ethernet ports, for packet-based services.

TDM SERVICES

The E1 interface is compatible with all carrier-provided E1 services, meeting the requirements of ITU-T Rec. G.703, G.704 and G.732. It supports both 2 (G732N) and 16 (G732S) frames per multiframe formats, as well as unframed mode. CRC-4 and E bit are also supported, complying with G.704 recommendations. Zero suppression over the line is HDB3. The E1 interface is equipped with an integral user-enabled LTU, ensuring ranges of up to 2 km (1.2 miles).

The T1 interface is compatible with ANSI requirements. Both D4 and ESF framing formats are supported. Zero suppression is selectable for Transparent, B7ZS, or B8ZS. The T1 interface is equipped with an integral user-enabled CSU, ensuring ranges of up to 1.6 km (1 mile).

M8E1/M8T1 modules recover the timing of each received E1/T1 stream, and can thus also provide timing reference signals derived from a selected E1/T1 stream for the nodal Megaplex-4 timing subsystem. M8E1/M8T1 transmit timing can be locked to the Megaplex-4 nodal timing. M8E1 supports Nokia Dynanet proprietary clock distribution (PDH Sync) and can be integrated into Nokia-RAD environment.

ETHERNET SERVICES

The Ethernet services are provided by an internal Layer-2 Ethernet switch that complies with IEEE 802.3/Ethernet V.2 standards, and supports VLAN. The total Ethernet traffic per module (from 1, 2 or 3 ports) is up to 100 Mbps.

The 3-port 10/100BaseT interface includes a built-in flow classification engine that performs single or double VLAN tagging according to IEEE 802.1Q and 802.1p. The interface features autonegotiation for plug-and-play Ethernet connectivity and complies with IEEE 802.3/Ethernet V.2 standards.

The external Ethernet ports can be ordered with two types of interfaces:

- 10/100BaseTx interfaces terminated in RJ-45 connectors
- Sockets for SFP Fast Ethernet transceivers. RAD offers several types of SFPs with optical interfaces, for meeting a wide range of operational requirements (SFPs with copper interfaces are also available).

It is strongly recommended to order this device with **original RAD SFPs installed**. This will ensure that prior to shipping, RAD has performed comprehensive functional quality tests on the entire assembled unit, including the SFP devices. RAD cannot guarantee full compliance to product specifications for units using non-RAD SFPs.

The Ethernet switch switches traffic between the module's Ethernet ports and the CL module Ethernet traffic subsystem (for connection via the CL GbE ports to a packet-switched network, or for transmission through the SDH network via virtually concatenated groups (VCGs)), and between the module's Ethernet ports and bundles.

M8E1, M8T1

8-Port E1 and T1 Modules

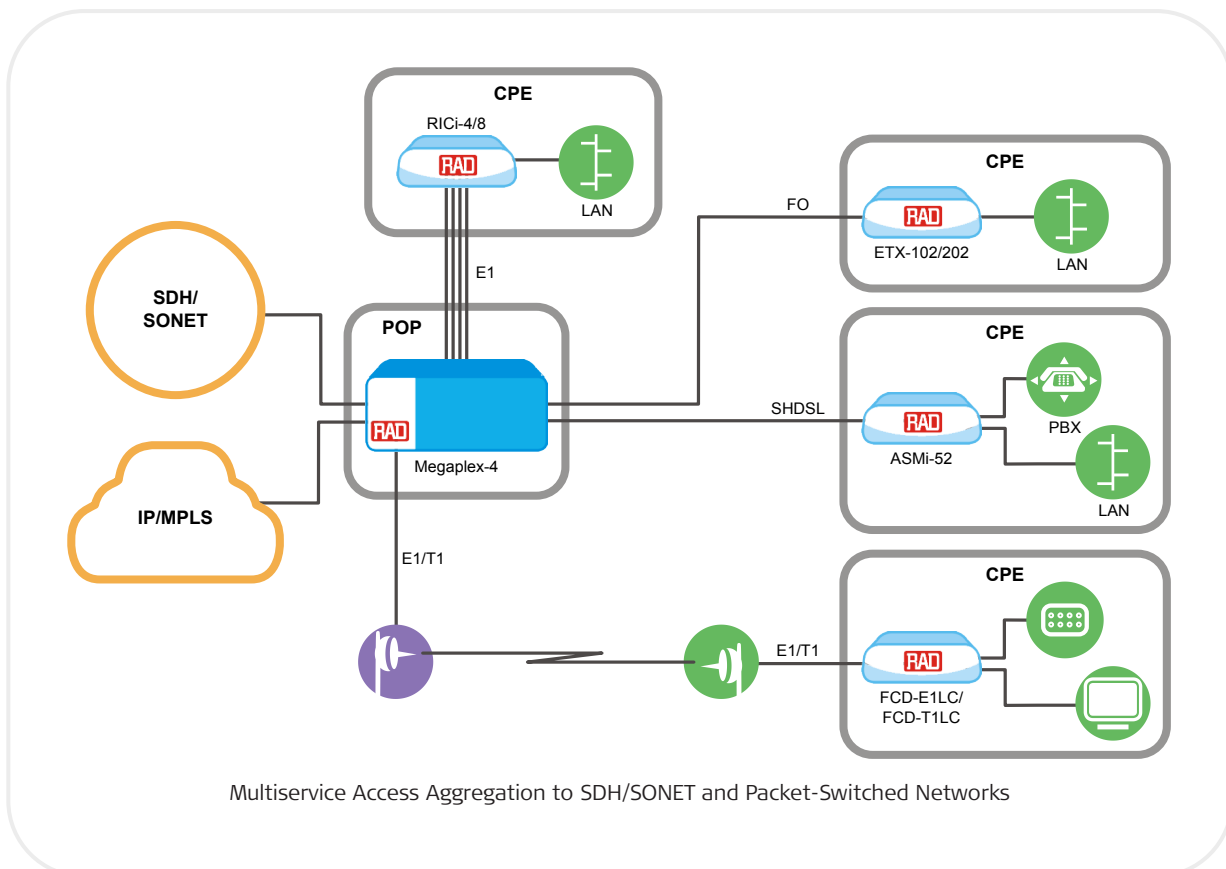
The processing and switching of Ethernet traffic over TDM (E1/T1) links is configured by means of *bundles*. Two types of bundles can be defined:

- Bundles using HDLC as the Layer-2 protocol. An HDLC bundle is always defined on a single E1/T1 port, and its bandwidth depends on the port framing mode:
 - In framed mode, the user can configure the assigned bandwidth by specifying the timeslots included in the bundle. In this case, each port supports up to four HDLC bundles. Up to 32 bundles can be configured per M8E1, M8T1 module.
 - In unframed mode (M8E1 only), the full E1 port bandwidth is automatically assigned to the HDLC bundle.

- For M8E1 module only: bundles using MLPPP (multilink point-to-point protocol) as the Layer-2 protocol. In this case, two or more E1 ports (all using the same unframed mode) are logically bonded together as a single serial port. The number of E1 ports bonded together can be up to the maximum supported by the module, i.e., 8 ports. At any time, only one MLPPP bundle can be active on the module.

DIAGNOSTICS

Diagnostic capabilities include local and remote loopback on the E1/T1 ports and inband code-activated loopbacks specified in ANSI T1E1.2/93-003 (T1 interface only). Performance statistics for the E1/T1 and Ethernet ports may be obtained and analyzed via the Megaplex management system.



Specifications

E1 INTERFACE

Compliance

ITU-T G.703, G.704, G.706, G.732
(including CRC-4 and E-bit)

Framing

2 frames (G732N), or 16 frames (G732S)
per multiframe, with or without CRC-4

Unframed

Data Rate (per link)

2.048 Mbps

Line Code

HDB3

Jitter Performance

As per ITU-T G.823

Impedance

Balanced 4-wire: 120 Ω
Unbalanced coax: 75 Ω

Signal Level

Receive:

Without LTU: 0 to -10 dBm
With LTU: 0 to -33 dBm

Transmit:

Balanced: $\pm 3V$ ($\pm 10\%$)
Unbalanced: $\pm 2.37V$ ($\pm 10\%$)

T1 INTERFACE

Compliance

ANSI T1.107 and T1.403 (inband loopback
activation only)

Framing

D4, ESF

Data Rate (per link)

1.544 Mbps

Line Code

Bipolar AMI

Zero Suppression

Transparent, B7ZS, B8ZS

Signal Level

Receive:

Without CSU: 0 to -10 dBm
With CSU: 0 to -34 dBm

Transmit:

Without CSU: $\pm 3V$ ($\pm 10\%$),
user adjustable,
measured at 0 to 655 ft
With CSU: 0, -7.5, -15, -22 dBm

Jitter Performance

As per AT&T TR-62411

Impedance

Balanced 4-wire: 100 Ω

ETHERNET INTERFACE

Number of Ports

3 fiber-optic or 3 UTP

Data Rate

10/100 Mbps (Fast Ethernet)
Autonegotiation

Total Bandwidth per Module

100 Mbps per module

Maximum Frame Size

1600 bytes

Connectors

3 x RJ-45, shielded
3 x SFP socket (for transceivers, see
Ordering)

SFP Characteristics

For full details, see the *SFP Transceivers*
data sheet at www.rad.com

Indicators (per port)

LINK (green) – LAN link integrity
ACT (yellow) – LAN data activity

DIAGNOSTICS

Loopbacks

User-activated local and remote loopback
on each port

Local and remote loopbacks per timeslot
T1 interface only:

Network line loopback

Network payload loopback

Network CSU loopback

GENERAL

Dual-color indicator (per E1/T1 link)

Lights in green when the port is
connected and carries traffic

Flashes in green when the port is
connected and is the standby port in a
redundancy pair

Lights in red during local loss of
synchronization or red alarm

Off when not connected

E1/T1 Line Connector

Single DB-44, female (see *Ordering* for
splitter cables available from RAD)

Power Consumption

10.8W

Environment

Operating temperature:

- Regular: -10°C to 55°C (14°F to 131°F)
- IEEE-1613 certified options: -20°C to 55°C (-4°F to 131°F)

Storage temperature: -20°C to +70°C
(-4°F to +158°F)

Humidity: up to 95%, non-condensing

M8E1, M8T1

8-Port E1 and T1 Modules

Ordering

RECOMMENDED CONFIGURATIONS

MP-4100M-8E1/3XUTP

8-port E1 module, 3 UTP Ethernet connectors

MP-4100M-8T1/3XUTP

8-port T1 module, 3 UTP Ethernet connectors

SPECIAL CONFIGURATIONS

Please contact your local RAD partner for additional configuration options.

OPTIONAL ACCESSORIES

CBL-G703-8/RJ45

Splitter cable for splitting each 44-pin E1/T1 module connector to 8 E1 or 8 T1 balanced RJ-45 connectors

CBL-G703-8/RJ45/ST

Splitter cable for splitting the 44-pin module connector to 8 E1 or 8 T1 balanced RJ-45 connectors, with station clock connector

CBL-G703-8/RJ45/X

Splitter cross-cable for splitting the 44-pin module connector to 8 E1 or 8 T1 balanced RJ-45 connectors

CBL-G703-8/RJ45/Y

Splitter cable for splitting the 44-pin module connector to 8 E1 or 8 T1 balanced RJ-45 connectors, for providing I/O group protection

CBL-G703-8/COAX

Splitter cable for splitting the 44-pin M8E1 module connector to 8 pairs of unbalanced BNC connectors

CBL-G703-8/OPEN

Open-ended cable with DB-44 connector on the Megaplex side for balanced E1 or T1 applications

Note: Unless otherwise indicated, all cables are 2m (6.6 ft) in length.

By default, all E1/T1 cables are 2m (6.6 ft) long. For additional cable lengths available, see RAD catalog.

46-141-00/16 Specifications are subject to change without prior notice. © 1988-2016 RAD Data Communications Ltd. RAD products/technologies are protected by registered patents. To review specifically which product is covered by which patent, please see rad.com. The RAD name, logo, logo type, and the product names MIND, Optimux, Alarm, and Prunux, are registered trademarks of RAD Data Communications Ltd. All other trademarks are the property of their respective holders.

International Headquarters

24 Raoul Wallenberg Street
Tel Aviv 69719, Israel
Tel. 972-3-6458181
Fax 972-3-6498250, 6474436
E-mail market@rad.com

North America Headquarters

900 Corporate Drive
Mahwah, NJ 07430, USA
Tel. 201-5291100
Toll free 1-800-4447234
Fax 201-5295777
E-mail market@radusa.com

www.rad.com

Order this publication by Catalog No. 803725



Your Network's Edge